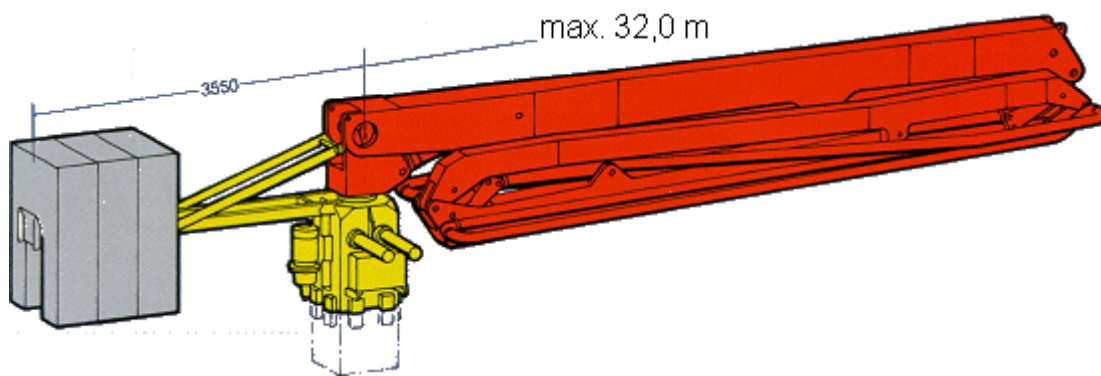
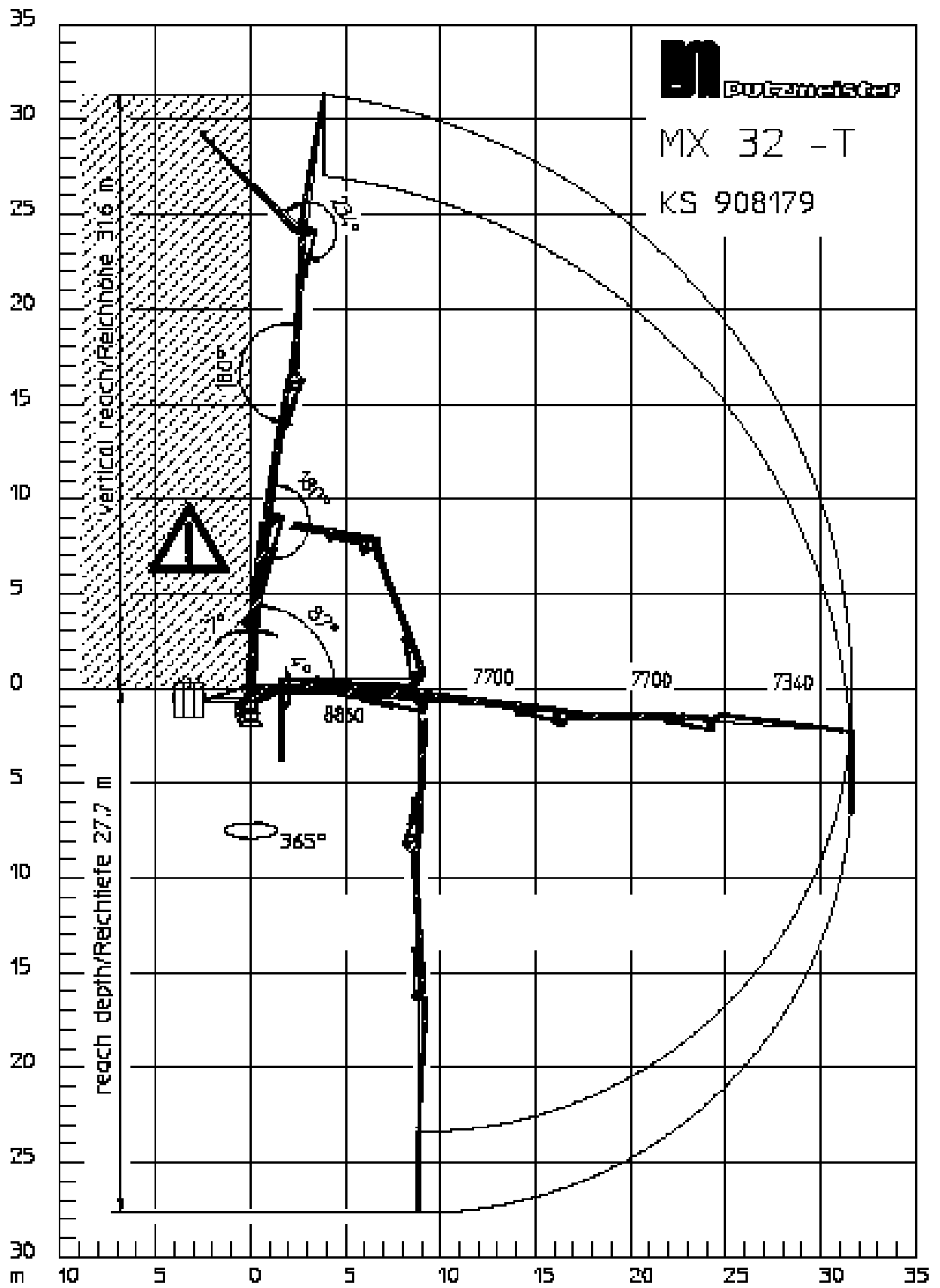


The stationary boom MX 32



Technical data MX 32 -T R

Delivery line tube - DN 5,5"	133 x 4
Arms	4
Folding system	Z
Vertical reach	31,6 m
Ballast	3x2100 kg
Substructure	Pipe flange column 750 (R)
Option	Quick seperating boom (T)



Performance data is max. theor. The accessories shown are partly extras. Right to make amendments reserved.